

Studio 5/7 Pop Pin Change and S/N Matrix

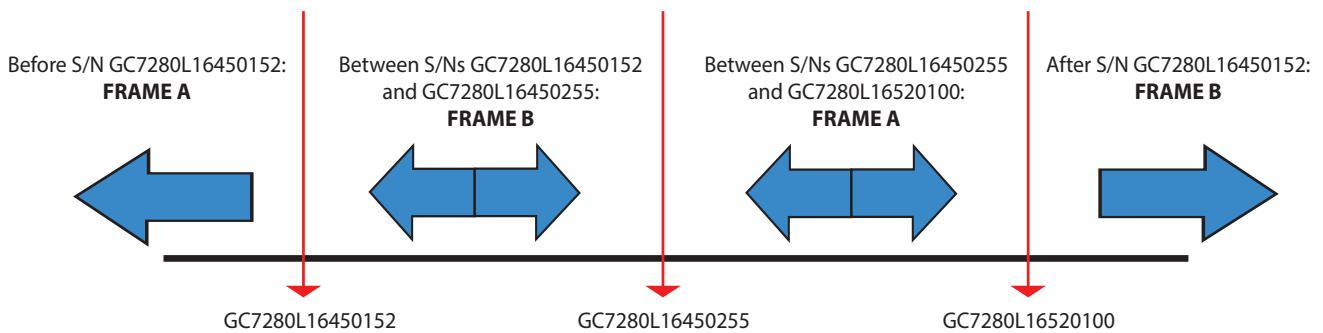
Studio 5 (9-7280) + Studio 7 (9-7290)

In Q1/Q2 2017, there were several changes to the frames of the Studio 5 and Studio 7 cycles to accommodate newly designed pop pins.

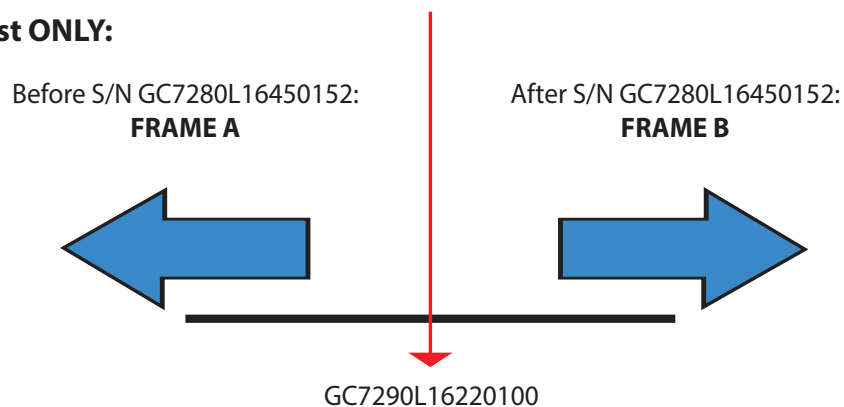
Please be aware that depending on the serial number, the Studio 5 and Studio 7 cycles could use one of two different pop pins.
Please note that 740-8981 and 718-5749 are interchangeable.

Please see serial number cut-overs below then refer to table on page 2 + 3

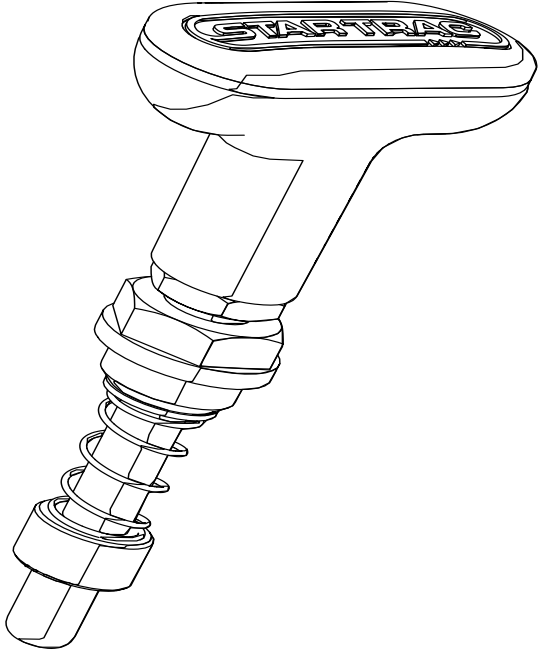
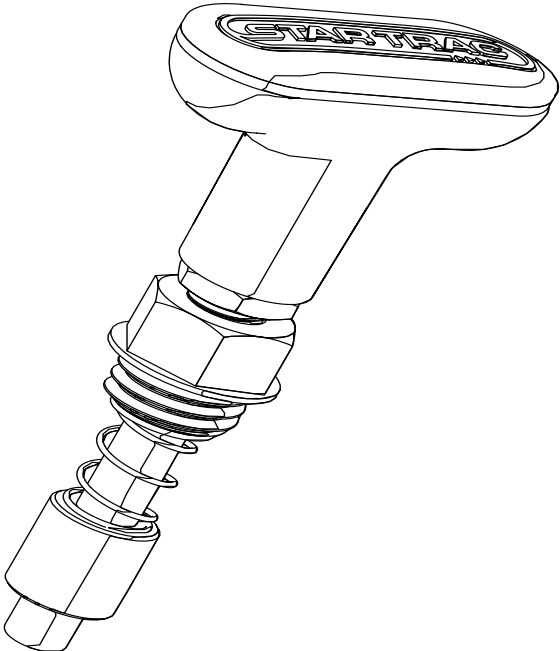
Studio 5 Handlebar and Seat Post:



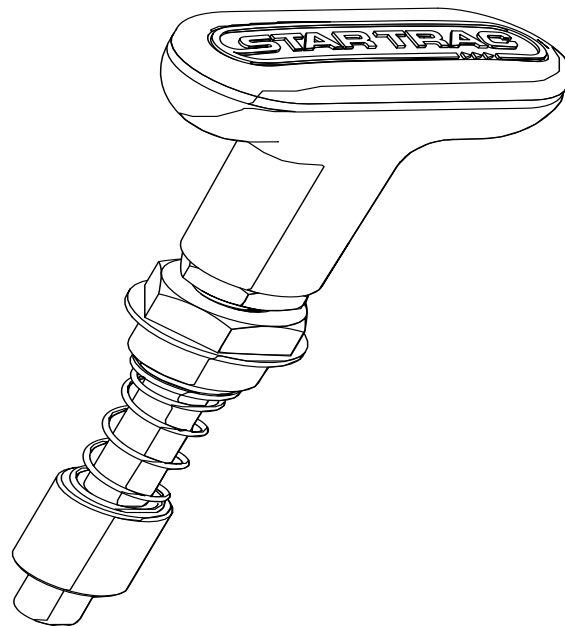
Studio 7 Seat Post ONLY:



ALL STUDIO 7 S/Ns USE 718-5741 OR 740-9201 FOR THE HANDLEBAR POST

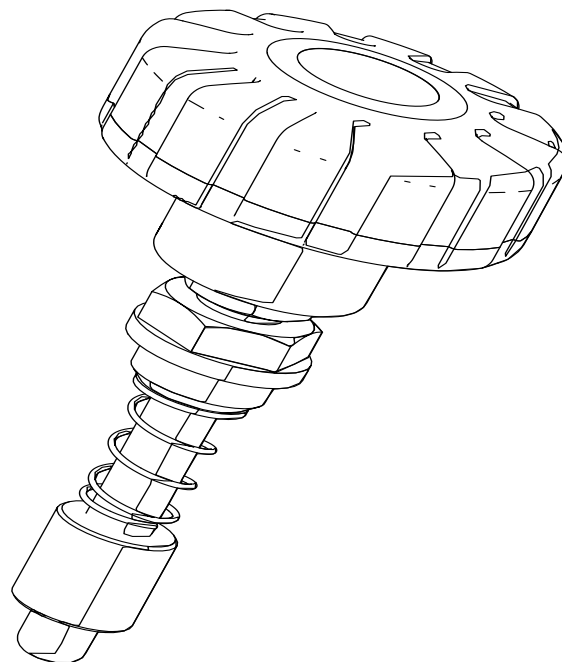
Frame Type	Pop Pin
<p style="text-align: center;">Frame A</p> <p>NOTE: 740-8981 and 718-5749 are interchangeable.</p>	 <p style="text-align: center;">740-8981</p>
<p style="text-align: center;">Frame A</p> <p>NOTE: 740-8981 and 718-5749 are interchangeable.</p>	 <p style="text-align: center;">718-5749</p>

Frame B



718-5741

Frame B



740-9201